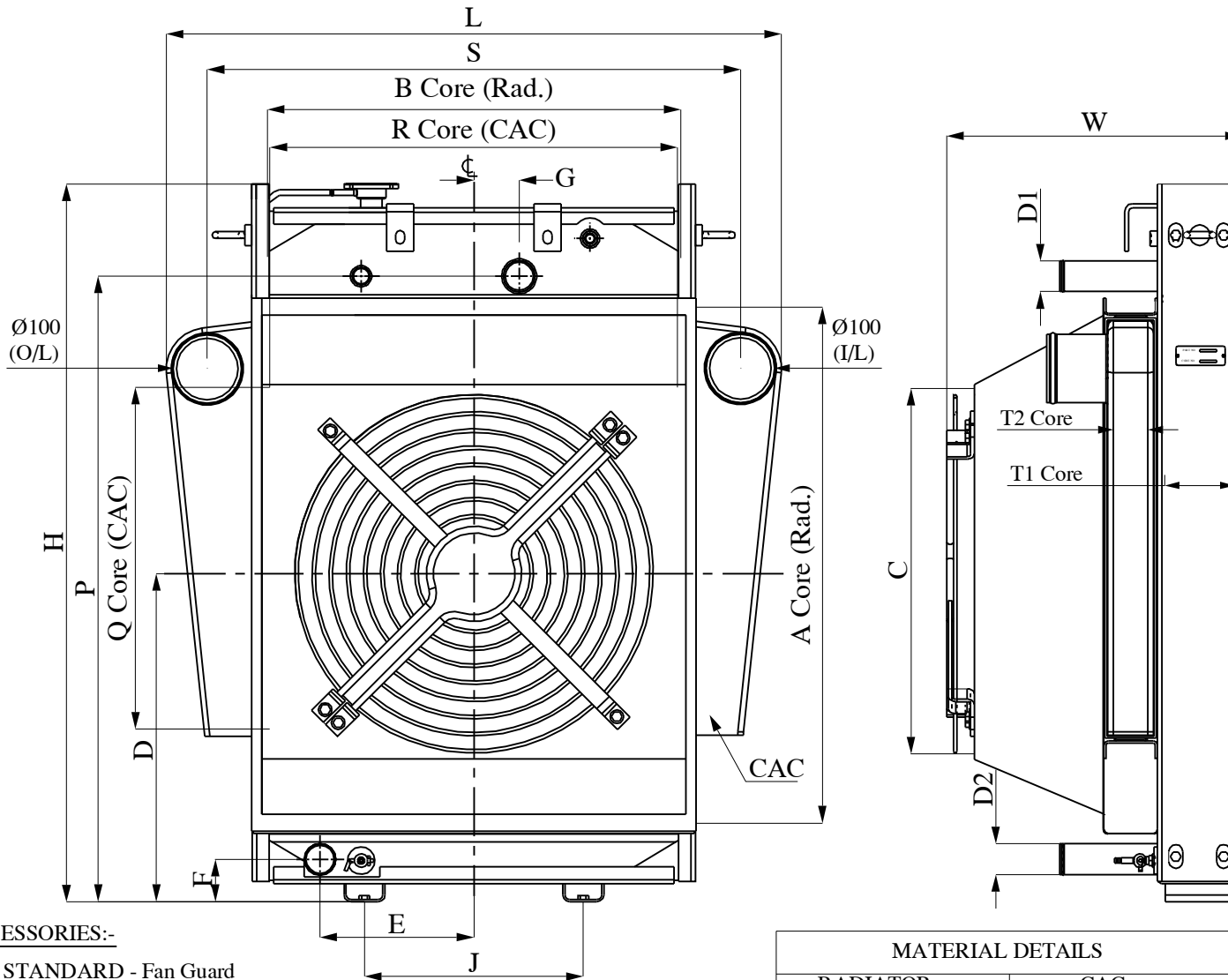




BANCO PRODUCT (I) LTD,



**ACCESSORIES:-**

- \* STANDARD - Fan Guard
- \* OPTIONAL - Coolant Tank & Stone Guard

**NOTE:-**

- \* Design & Dimensions are Approx subjected to change without notice.
- \* Fan & Motor not in scope of supply.
- \* I/L - Inlet of CAC & O/L - Outlet of CAC.

MATERIAL DETAILS			
RADIATOR		CAC	
CORE	COPPER/BRASS	CORE	ALUMINUM
TANK	STEEL	TANK	ALUMINUM CASTING
SHROUD	STEEL		
PAINT:-		BLACK - PU	

RADIATOR		PART NO. - R6 206
DIMENSIONAL DETAILS (MM)		
CORE - A x B x T1	880 x 873 x 94	
FAN - ØC x D	28" x 467	
P x G x ØD1	1059 x 207 x 50	
E x F x ØD2	256 x 52 x 60	
MOUNTING CTC - J	600	
H x L x W	1185 x 1188 x 410	
PERFORMANCE DETAILS		
HEAT DISSIPATION	91 KW	
AT AMBIENT (°C)	45	
AT WATER FLOW (LPM)	175	
AT AIR FLOW (m <sup>3</sup> /min)	339.6	
OPERATING PRESSURE	7 PSI	
MAX. TOP TANK TEMP.(°C)	100	

CAC	
STRUCTURAL DETAILS (MM)	
CORE - Q x R x T2	876 x 660 x 42
MOUNTING CTC - S	1050
PERFORMANCE DETAILS	
HEAT DISSIPATION	26 KW
AT COMBUSTION AIR FLOW (Kg/Sec)	0.233
AIR INLET TEMP. CAC (°C)	165
AIR OUTLET TEMP. CAC (°C)	60
FAN AIR PR DROP RAD. + CAC	45 mm WATER
FIN DETAILS	
FIN TYPE (RAD.)	FLAT - NON LOUVERED
FPI	8
FIN TYPE (CAC)	LOUVERED SERPENTINE