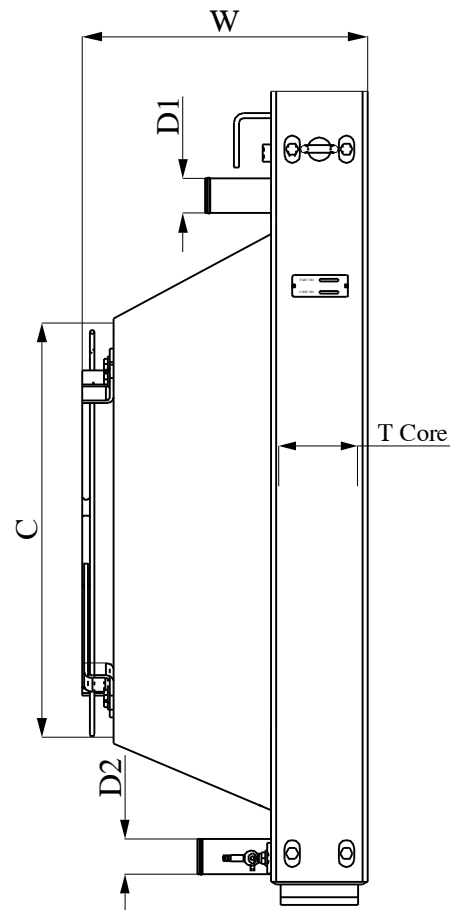
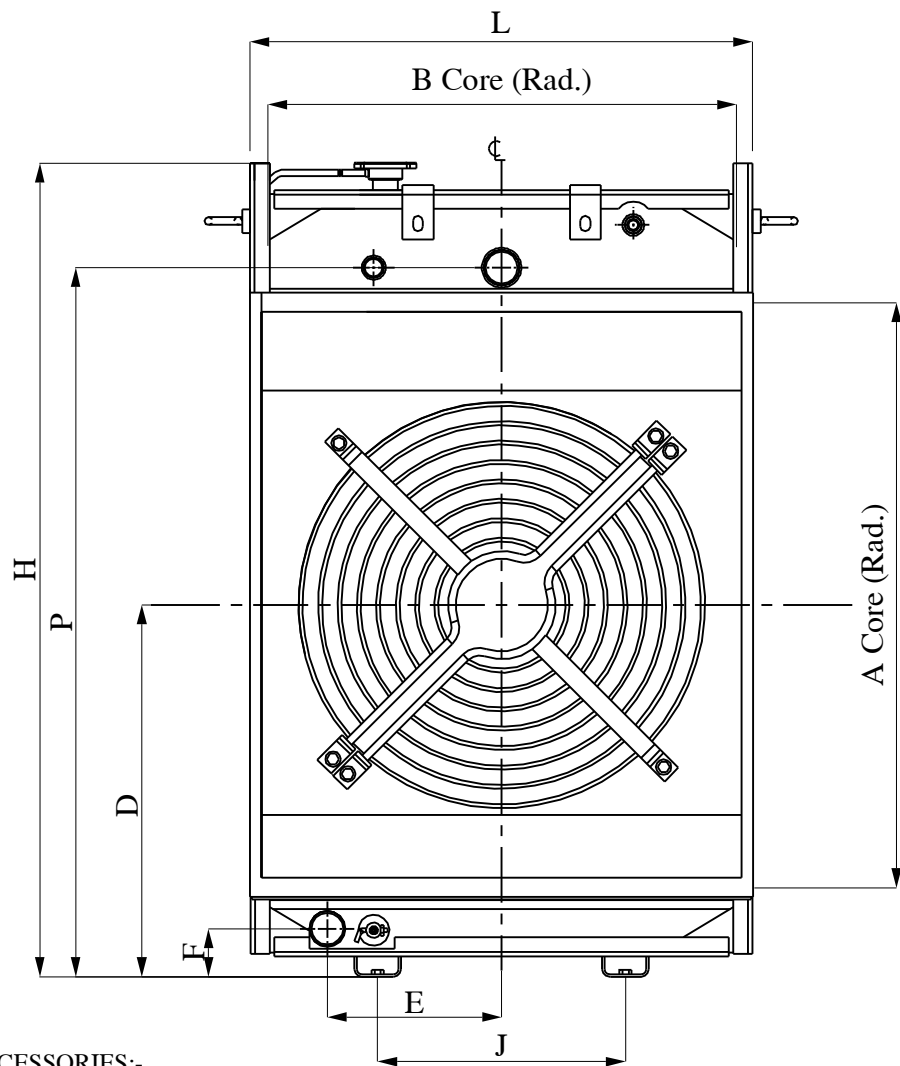




BANCO PRODUCT (I) LTD,



RADIATOR PART NO. - R6 204	
DIMENSIONAL DETAILS (MM)	
CORE - A x B x T	800 x 795 x 94
FAN - ØC x D	28" x 506
P x ØD1	960 x 45
E x F x ØD2	225 x 37 x 45
MOUNTING CTC - J	550
H x L x W	1105 x 862 x 310
PERFORMANCE DETAILS	
HEAT DISSIPATION	61 KW
AT AMBIENT (°C)	45
AT WATER FLOW (LPM)	110
AT AIR FLOW (m <sup>3</sup> /min)	243.6
OPERATING PRESSURE	7 PSI
MAX. TOP TANK TEMP.(°C)	100
FAN AIR PR. DROP	30 mm WATER

MATERIAL DETAILS	
CORE	COPPER/BRASS
TANK	STEEL
SHROUD	STEEL
PAINT	BLACK-'PU'
FIN DETAILS	
FIN TYPE	FLAT - NON LOUVERED
FPI	9

**ACCESSORIES:-**

- \* STANDARD - Fan Guard
- \* OPTIONAL - Coolant Tank & Stone Guard

**NOTE:-**

- \* Design & Dimensions are subjected to change without notice.
- \* Fan & Motor not in scope of supply.