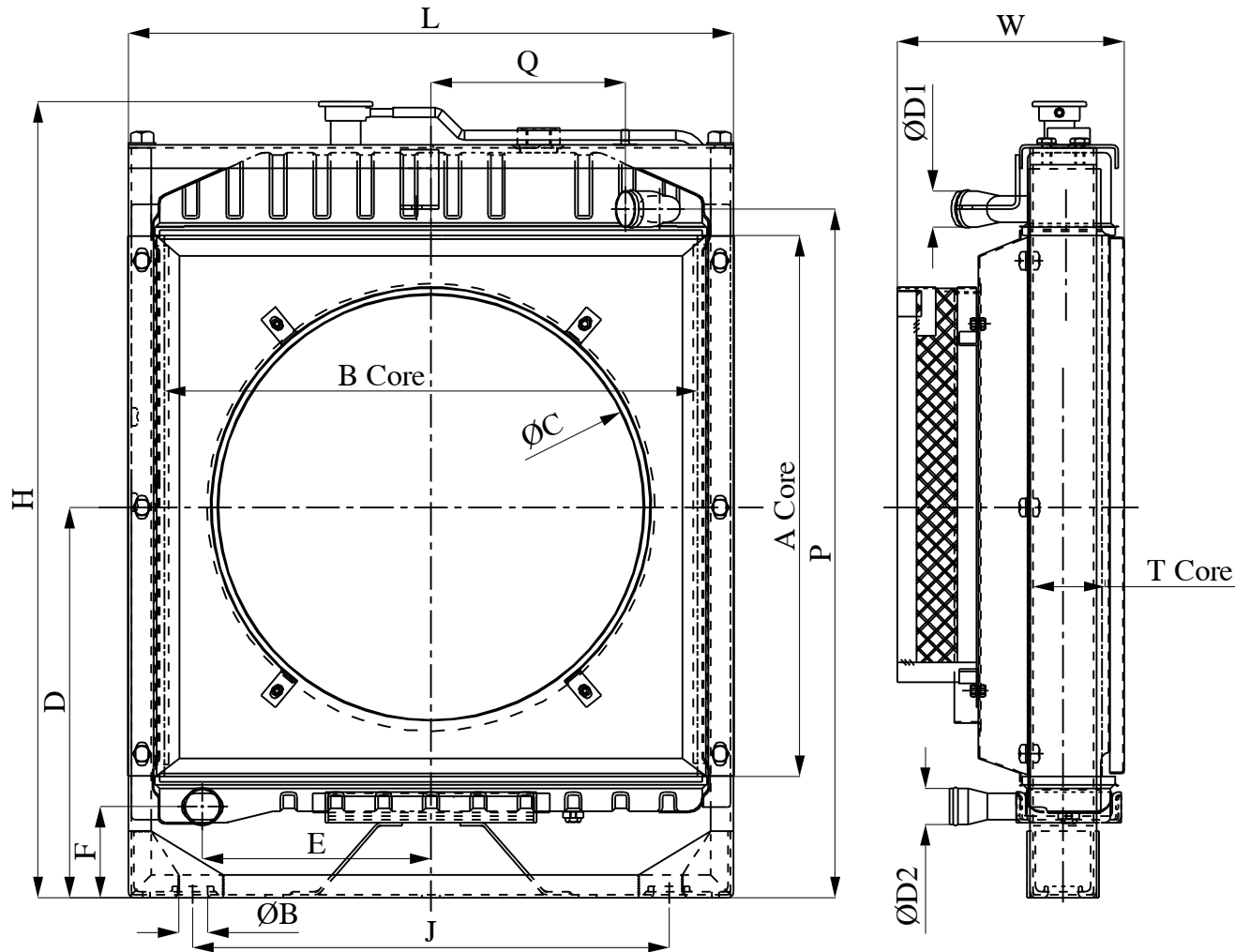




BANCO PRODUCT (I) LTD,



**NOTE:-**

- \* All Dimensions are Approx. & may be subjected to change.
- \* Fan & Motor not in scope of supply.

**ACCESSORIES:-**

- \* STANDARD - Fan Guard
- \* OPTIONAL - Stone Guard

RADIATOR		PART NO. - R6 202
DIMENSIONAL DETAILS (MM)		
CORE - A x B x T	570 x 562 x 75	
FAN - ØC x D	17" x 412	
P x Q x ØD1	726 x 205 x 38	
E x F x ØD2	241 x 96 x 38	
J x ØB	502 x 32	
H x L x W	839 x 638 x 239	
PERFORMANCE DETAILS		
HEAT DISSIPATION	52 KW	
AT AMBIENT (°C)	50	
AT WATER FLOW (LPM)	108	
AT AIR FLOW (m <sup>3</sup> /sec)	1.94	
OPERATING PRESSURE	13 PSI	
MAX. TOP TANK TEMP.(°C)	100	
MATERIAL DETAILS		
CORE	COPPER/BRASS	
TANK	BRASS	
SHROUD	STEEL	
PAINT	BLACK-'PU'	
FIN DETAILS		
FIN TYPE	FLAT - NON LOUVERED	
FPI	8	