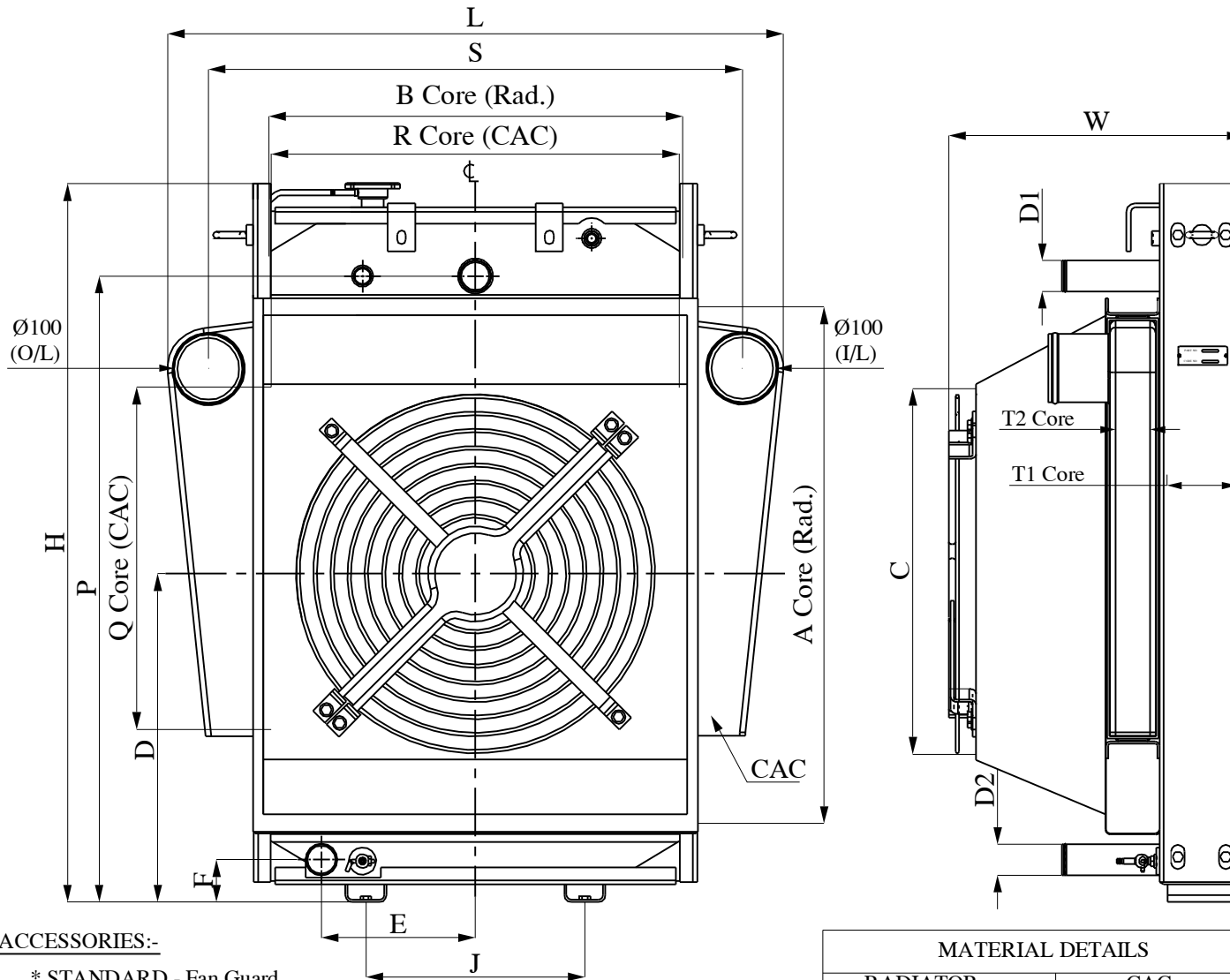




BANCO PRODUCT (I) LTD,



ACCESSORIES:-

- * STANDARD - Fan Guard
- * OPTIONAL - Coolant Tank & Stone Guard

NOTE:-

- * Design & Dimensions are subjected to change without notice.
- * Fan & Motor not in scope of supply.
- * I/L - Inlet of CAC & O/L - Outlet of CAC.

MATERIAL DETAILS			
RADIATOR		CAC	
CORE	COPPER/BRASS	CORE	ALUMINUM
TANK	STEEL	TANK	ALUMINUM CASTING
SHROUD	STEEL		
PAINT:-		BLACK - PU	

RADIATOR		PART NO. - R6 201
DIMENSIONAL DETAILS (MM)		
CORE - A x B x T1	770 x 605 x 94	
FAN - ØC x D	21" x 480	
P x ØD1	915 x 45	
E x F x ØD2	225 x 62 x 45	
MOUNTING CTC - J	320	
H x L x W	1050 x 900 x 422	
PERFORMANCE DETAILS		
HEAT DISSIPATION	52 KW	
AT AMBIENT (°C)	45	
AT WATER FLOW (LPM)	115	
AT AIR FLOW (m ³ /min)	195	
OPERATING PRESSURE	7 PSI	
MAX. TOP TANK TEMP.(°C)	100	

CAC		STRUCTURAL DETAILS (MM)
CORE - Q x R x T2	624 x 597 x 42	
MOUNTING CTC - S	780	
PERFORMANCE DETAILS		
HEAT DISSIPATION	11.5 KW	
AT COMBUSTION AIR FLOW (Kg/Sec)	0.115	
AIR INLET TEMP. CAC (°C)	165	
AIR OUTLET TEMP. CAC (°C)	60	
FAN AIR PR DROP RAD. + CAC	40 mm WATER	
FIN DETAILS		
FIN TYPE (RAD.)	FLAT - NON LOUVERED	
FPI	8	
FIN TYPE (CAC)	LOUVERED SERPENTINE	