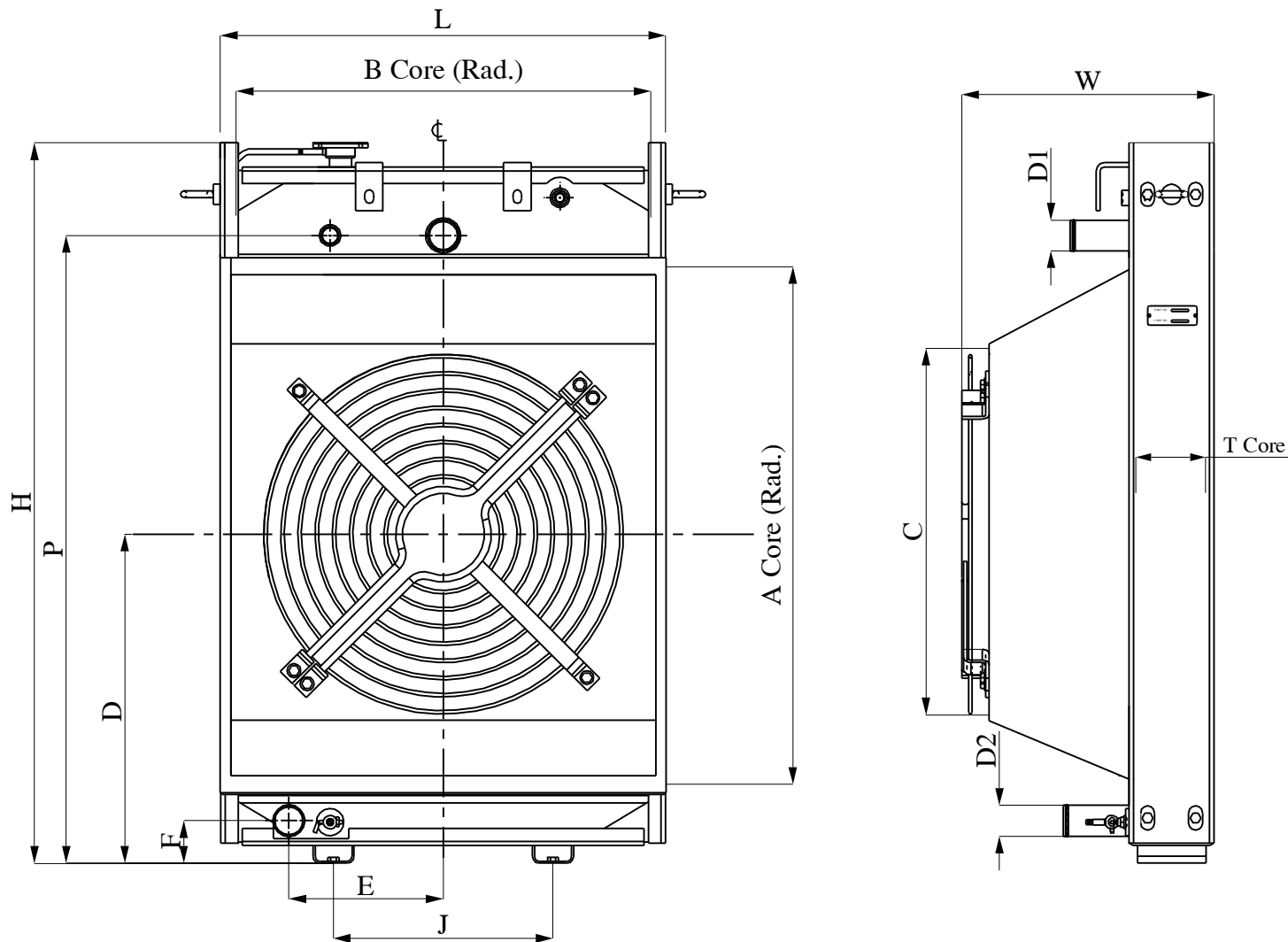




BANCO PRODUCT (I) LTD,



ACCESSORIES:-

- * STANDARD - Fan Guard
- * OPTIONAL - Coolant Tank & Stone Guard

NOTE:-

- * Design & Dimensions are subjected to change without notice.
- * Fan & Motor not in scope of supply.

RADIATOR		PART NO. - R6 103
DIMENSIONAL DETAILS (MM)		
CORE - A x B x T	580 x 600 x 75	
FAN - ØC x D	19" x 376	
P x ØD1	728 x 45	
E x F x ØD2	225 x 56 x 45	
MOUNTING CTC - J	320	
H x L x W	821 x 234 x 650	
PERFORMANCE DETAILS		
HEAT DISSIPATION	44.5 KW	
AT AMBIENT (°C)	45	
AT WATER FLOW (LPM)	80	
AT AIR FLOW (m ³ /min)	154	
OPERATING PRESSURE	7 PSI	
MAX. TOP TANK TEMP.(°C)	100	
FAN AIR PR. DROP	26 mm WATER	

MATERIAL DETAILS	
CORE	COPPER/BRASS
TANK	STEEL
SHROUD	STEEL
PAINT	BLACK - 'PU'
FIN DETAILS	
FIN TYPE	FLAT - NON LOUVERED
FPI	9